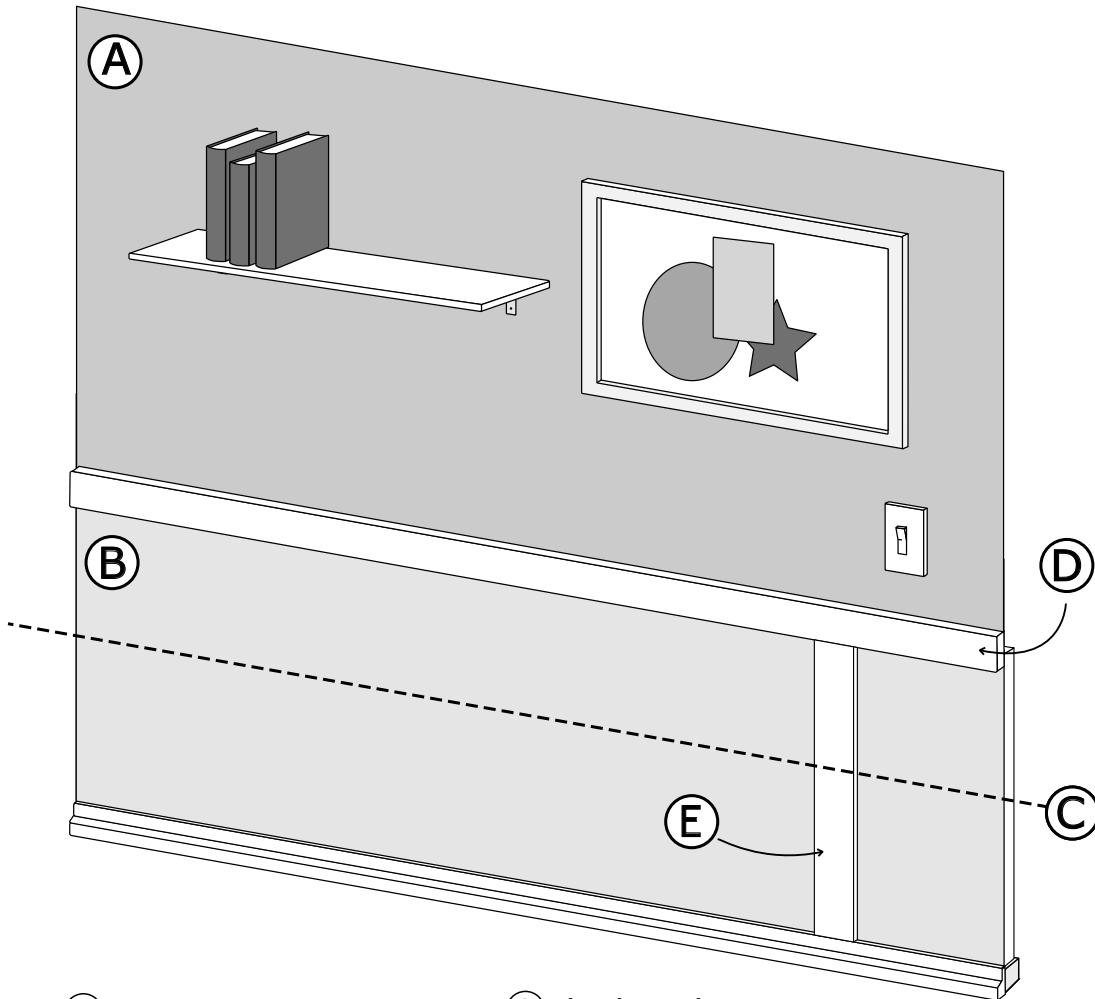




Flood Prepared Australia®

The 'Flood Protect - Internal Wall lining' system is designed to be retrofitted into residential homes at risk of repeatable flood. Our system can be removed, washed, treated for mould and reinstalled, allowing your home time to breathe.



A. Plasterboard (Typically)

B. Flood Protect internal wall liner

C. Flood Level

D. Quick release cap & cradle

E. Vertical 'H' Connector

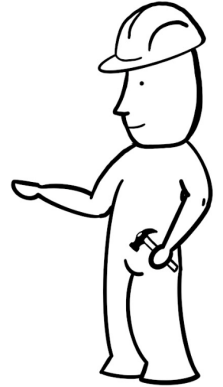
Materials

Provided

- i) Flood Protect sheet
- ii) 9mm Packer strips
- iii) Horizontal Cradle & Cap (joining system)
- iv) Vertical "H" connector (Joining System)
- v) Recycling bag

Not Provided

- i) Clout nails
- ii) Stitching Screws
- iii) 8mm Self tapper screws
- iv) Internal, external corner angles pre-primed pine
- v) Appropriate PPE

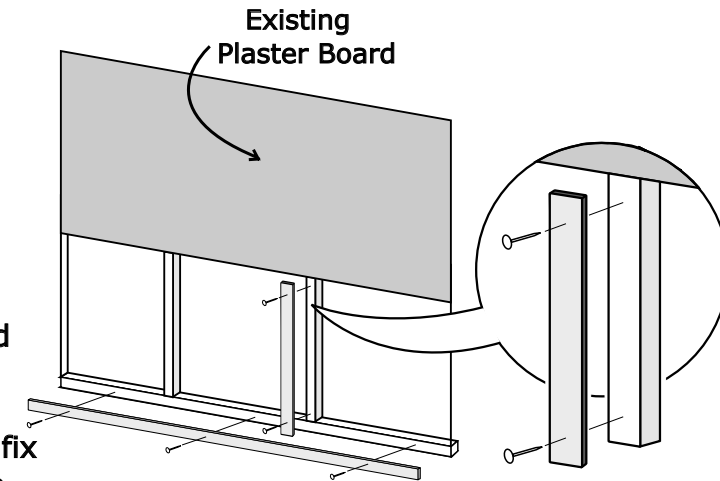


Step 1.

i) Use laser level to mark horizontal cut, allowing for 10mm height tolerance

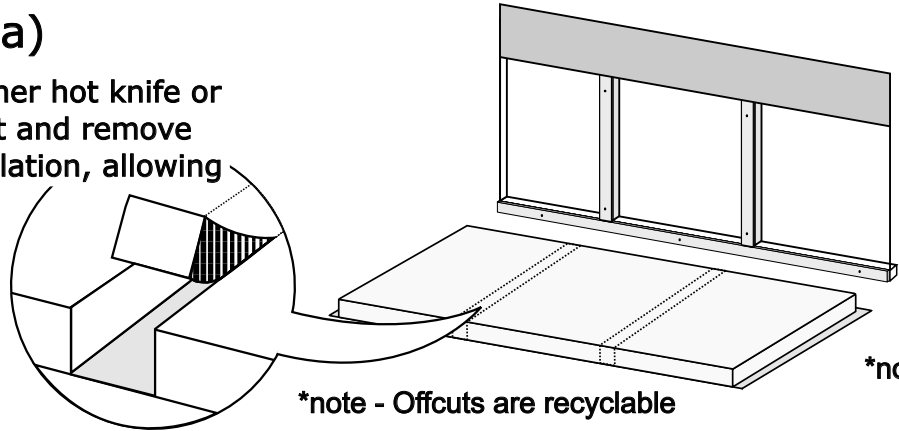
ii) Cut and remove existing plaster board at risk of flooding.

iii) Use clout nails to fix 9mm packer strips to exposed wall frame.



Step 2 (a)

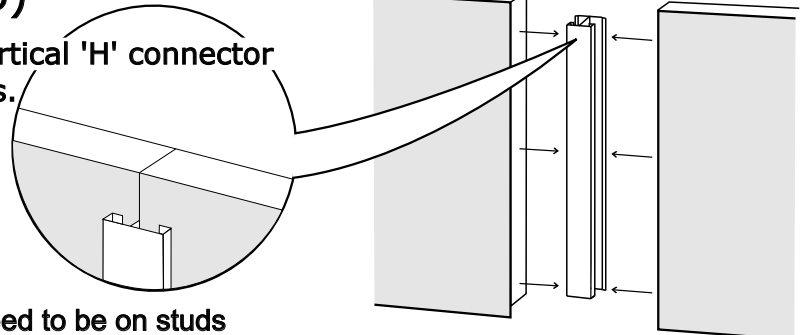
i) Using either hot knife or blade to cut and remove excess insulation, allowing snug fit.



*note - Offcuts are recyclable

Step 2 (b)

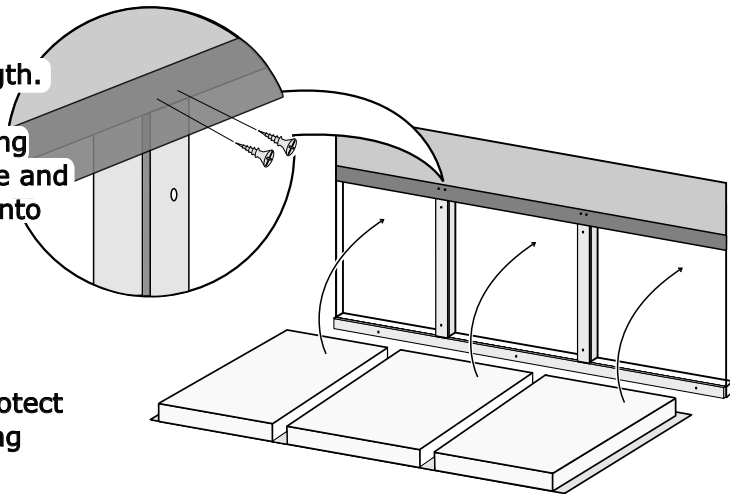
i) Use the Vertical 'H' connector to join sheets.



*note - Joins do not need to be on studs
- Length of vertical 'H' connector = Measurement between skirting to Cap & Cradle

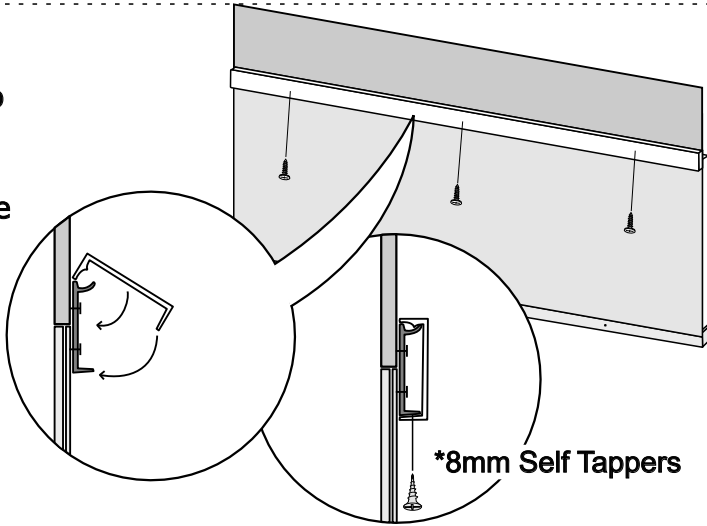
Step 3.

- i) Cut Cap & Cradle to length.
- ii) Fit horizontal cradle along existing plaster board edge and fix using stitching screws into stud.
- iii) Fit Flood Protect sheet beneath Horizontal Cradle.
- iv) Fix Cradle and Flood Protect sheet to stud using stitching screw.



Step 4.

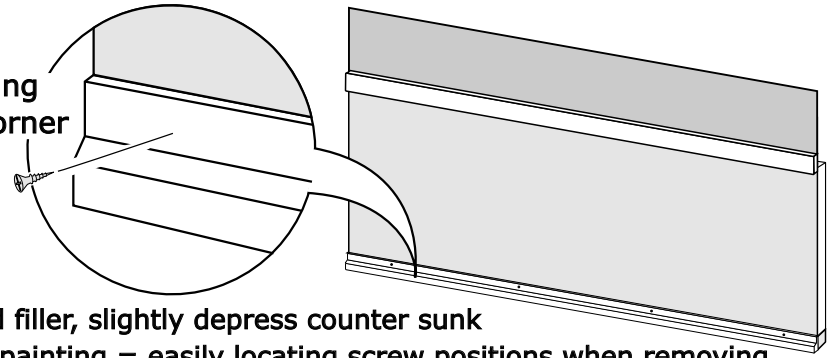
- i) Use 10mm packers to lift sheet off floor.
- ii) Hinge cap onto cradle and lower.
- iii) Screw fix sheet along bottom plate at 600mm centers



*8mm Self Tappers

Step 5.

i) Screw fix skirting architrave and corner angles.



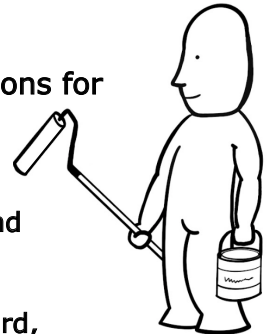
*note - Using wood filler, slightly depress counter sunk screw head before painting = easily locating screw positions when removing post flood.

Step 6.

i) Decorate and paint as per manufactures instructions for aluminium surface.

*note - To clean and etch the surface, use warm soapy water and a scourer pad in a figure eight pattern. Dry and apply "etch" primer.

*note - To achieve a similar finish to existing plaster board, apply using a long nap roller



⚠ WARNING: Installation may involve electrical components, only qualified tradespeople should carry out trade work. The manufacturer accepts no liability for injury, damage, or loss caused by improper installation. This installation guide should be read in conjunction with the Electrical Earthing diagram and Product Specification Sheet (see website). Use QR Code on front to view instructional video and more.